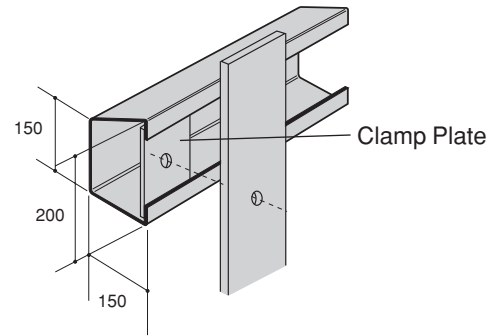


Open Box Beam barriers will prevent even HGVs from inflicting accidental damage to property. They are floor mounted on HDB buffers, which are strong and flexible to absorb a considerable impact.

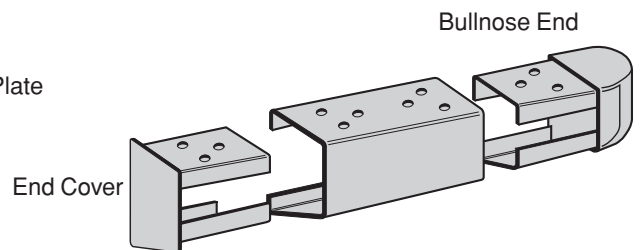
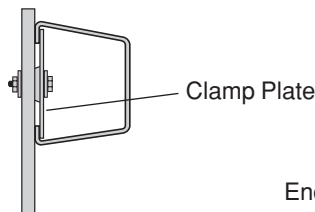
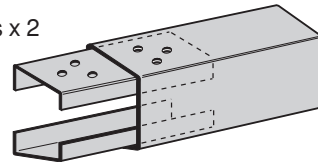


OPEN BOX BEAM

5mm wall thickness, available in 1.2, 2.4 and 4.8 metre lengths

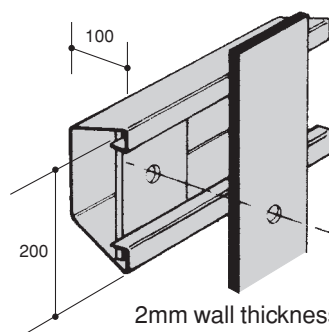


Fishplate Connectors x 2

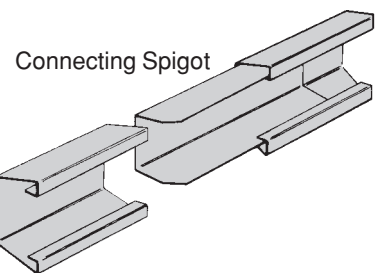


BERRY BEAM

The Berry Beam Barrier provides protection equivalent to standard Flex-Beam performance. Only 100mm wide, its neat profile and minimalist design fits unobtrusively into the environment.



2mm wall thickness, available in 3 metre lengths



External Corner

