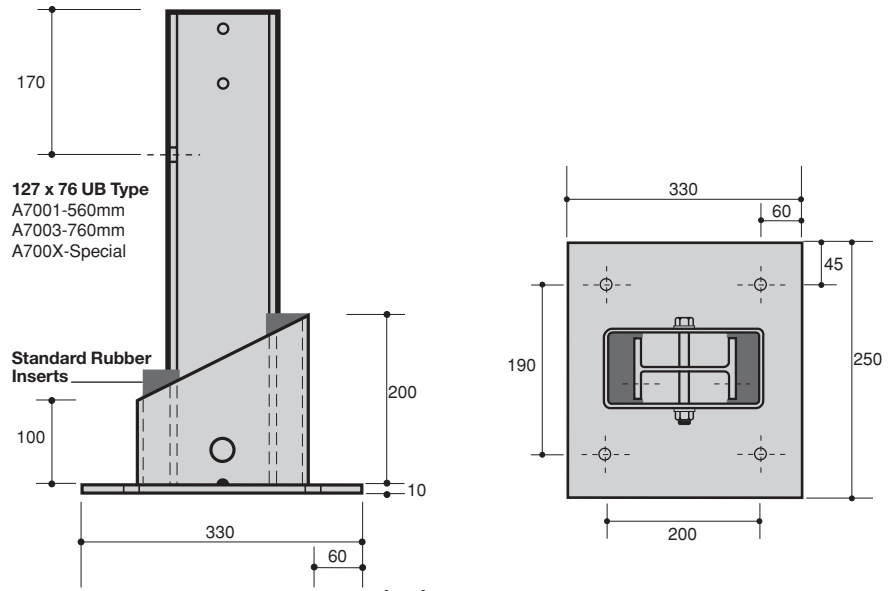


Flexi-Post barriers are constructed from untensioned safety beams attached to flexible floor mounted posts and will absorb an impact up to ten tonnes. Strong, resilient and safe, Flexi-Post barriers will protect vehicles, buildings, plant and people.

FLEXI-POST



Flexi-Post with Flex-Beam

